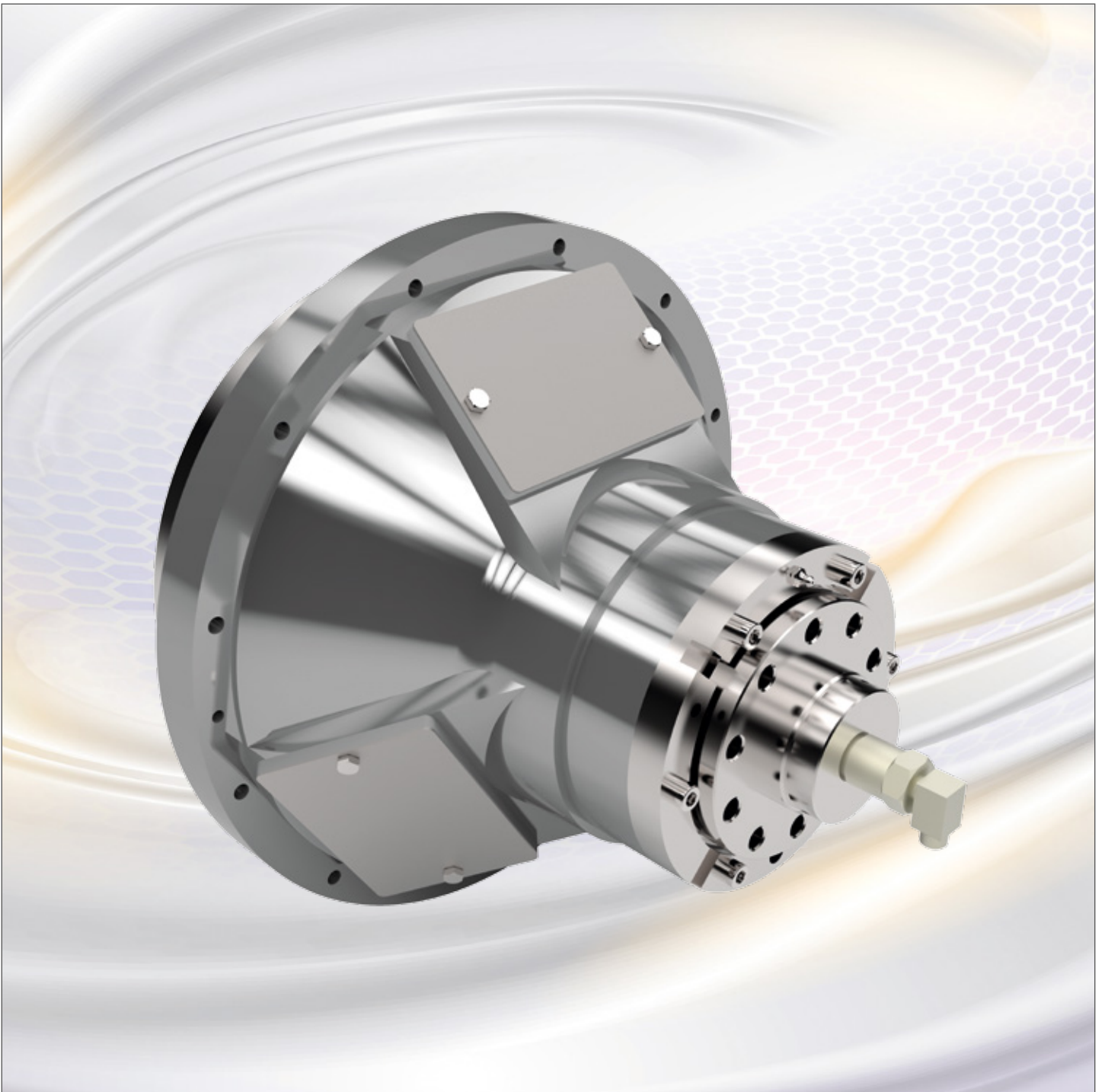
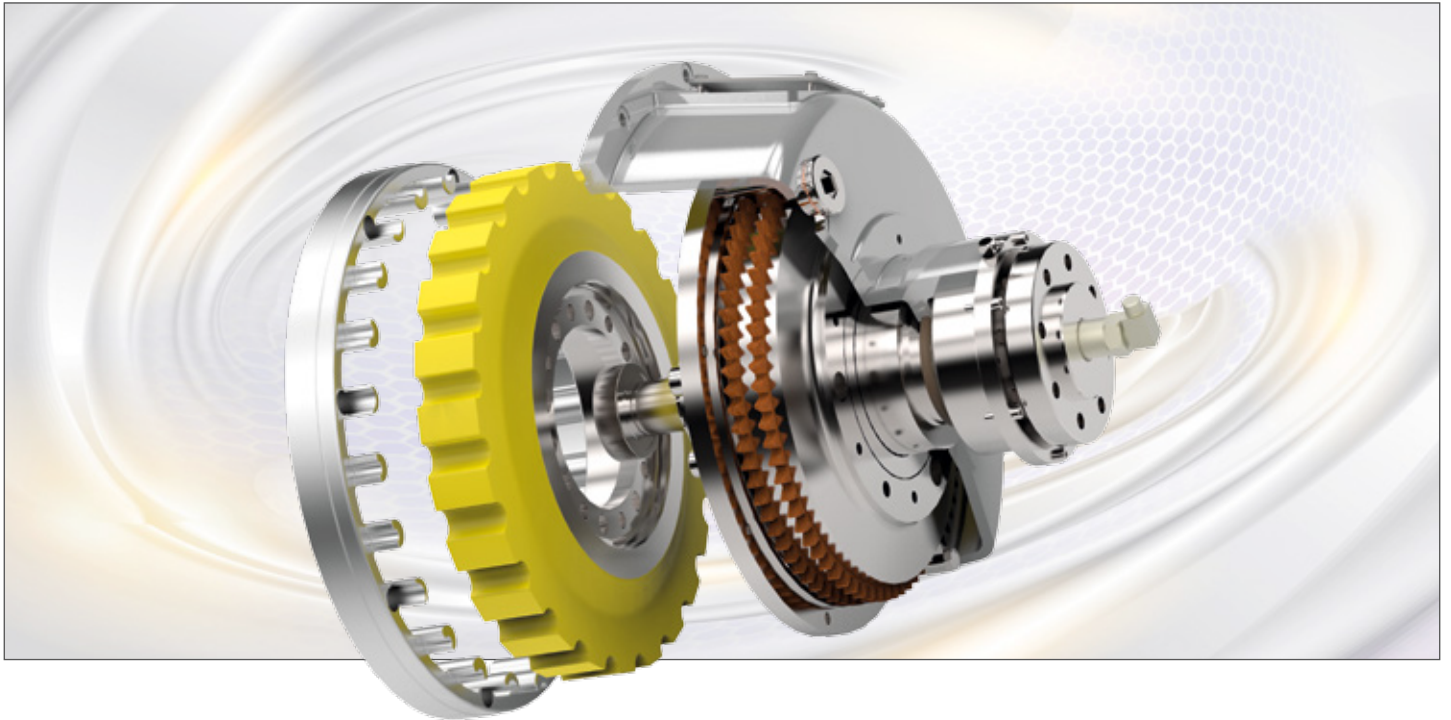


## DESCH Planox® - PH

Hydraulically actuated friction clutches



## DESCH Planox® - PH friction clutches



DESCH Planox® friction clutch  
Type PH - 142/1-SZ with highly flexible coupling

### Function

The DESCH Planox® friction clutches are engageable respectively disengageable dry-friction clutches which transmit torque by friction.

These clutches permit rapid acceleration of the driven machines or machinery groups as well as reliable torque transmission. Machines connected with friction clutches are protected against damage which can occur through peak torques during operation or during the engaging/disengaging process.

### Hydraulically actuated

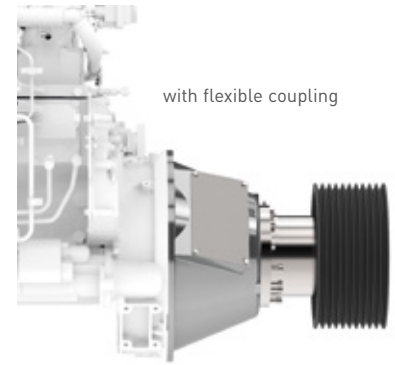
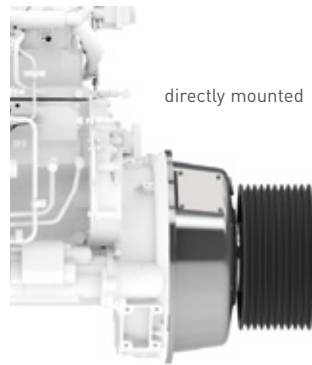
Hydraulically actuated Planox® clutches, type PH, have the design and mode operation as the pneumatically actuated Planox® clutches.

The oil is supplied axially by a rotary union. The torque indicated in the list is configured for an oil pressure of 35 bar.

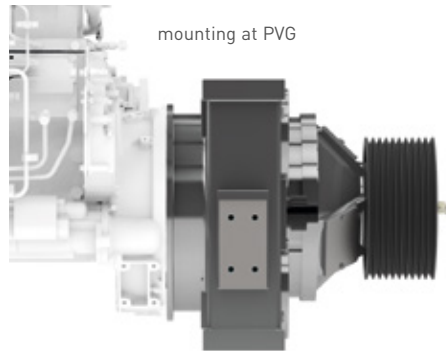
Special ventilation springs enable safe operation even when the machine is inclined. All versions of the clutch can be equipped with an additional flexible clutch for reducing the torsional vibrations. For the use of hydraulic pumps, we provide complete drive units comprised of pump drive and Planox® clutch.

## Technology

### Drive system 1



### Drive system 2



## Examples



Road Milling Machine



Crusher



Shredder

## Technical data

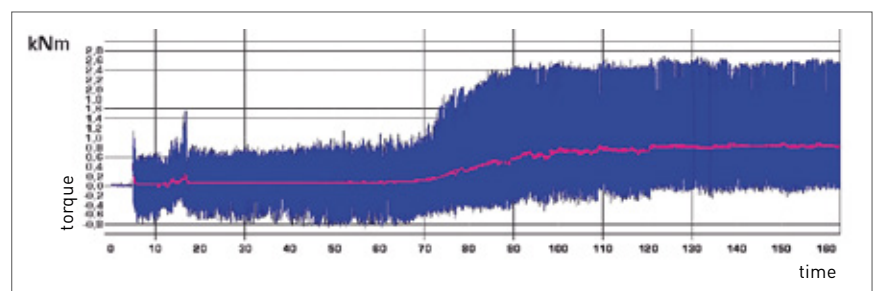
size	torque $T_{\dot{U}}$ at 35 bar Nm	max. speed rpm	need of oil per actuation with new                      with worn friction discs		dimensions of installation	
			liter	liter	SAE J 617 housing size	SAE J 620d, J 621 flyheel size
81	765	3200	0,021	0,039	5-4-3	8"
101	1260	3000	0,035	0,064	4-3-2-1	10"
111	1420	2850	0,035	0,064	4-3-2-1	11½"
112	2870	2850	0,035	0,092	3-2-1-0	11½"
113	4240	2850	0,035	0,092	3-2-1-0	11½"
142	5240	2500	0,058	0,145	1-0-00	14"
143	7500	2500	0,058	0,189	1-0-00	14"
163	11100	2200	0,073	0,279	0-00	16"
183	13600	1960	0,080	0,308	0-00	18"
213	17300	1600	0,087	0,398	00	21"

## Measurements under operating conditions

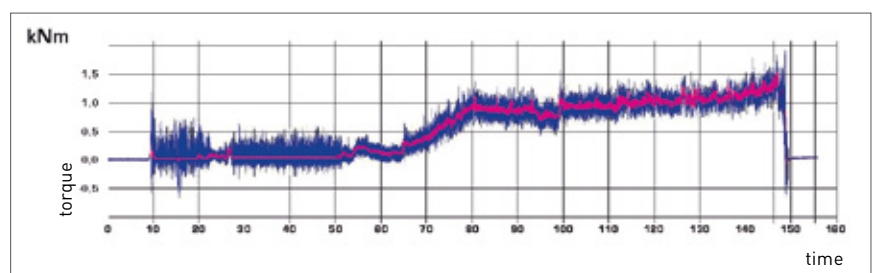
Reduction of torsional vibrations using a combination of Planox® clutch and flexible coupling.



Measurement of vibration and torque through telemetry at side

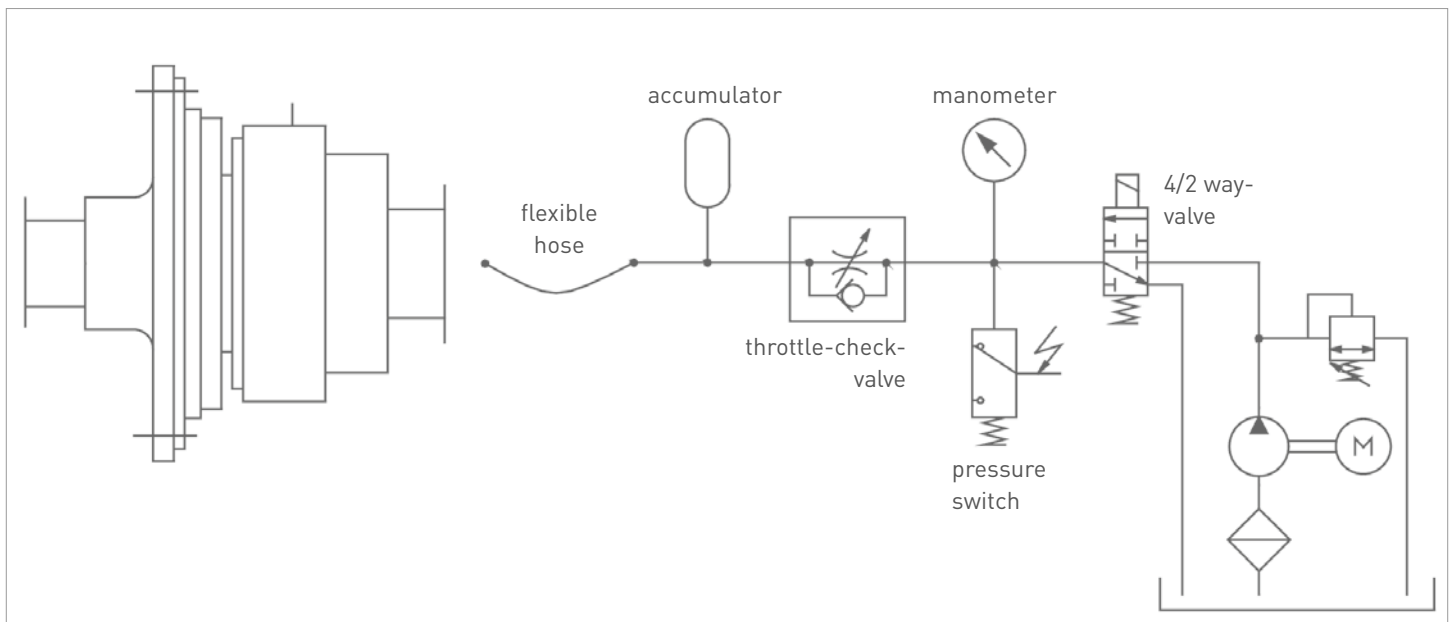


Torsional vibrations measured without flexible coupling.



Torsional vibrations measured with flexible coupling.

## Example of hydraulic actuating device



The hydraulic control of the clutch in the example consists of a 4/2-way-valve, an adjustable throttle-check-valve and an accumulator. A manometer and pressure switch are used for pressure monitoring. The clutch is connected to the hydraulic unit by a rotary union and a short flexible hose.

To ensure a smooth engagement, the pressure build-up can be controlled via the throttle-check-valve. The accumulator is used to absorb pressure peaks and adjust pressure fluctuations. For disengagement the oil is to be led back pressure free into the tank.





**瑞峯貿易股份有限公司 台北總公司**  
台灣台北縣三重市興德路 82 號 13 樓  
Tel: +886.2.8511.0778  
Fax: +886.2.8511.0876(7)

**瑞峯貿易股份有限公司 台中分公司**  
台灣台中市西屯區大安西街 2 號  
Tel: +886.4.2310.0488  
Fax: +886.4.2310.2488

**立峰(上海)商貿有限公司 上海分公司**  
上海市徐匯區宜山路 889 號 4 號樓  
5 樓 D 單元 (齊來科技服務園區)  
Tel: +8621.6485.1772  
Tel: +8621.6121.3052 (53) (55)  
Fax: +8621.6485.1702

[www.GOSUIHONG.com](http://www.GOSUIHONG.com)