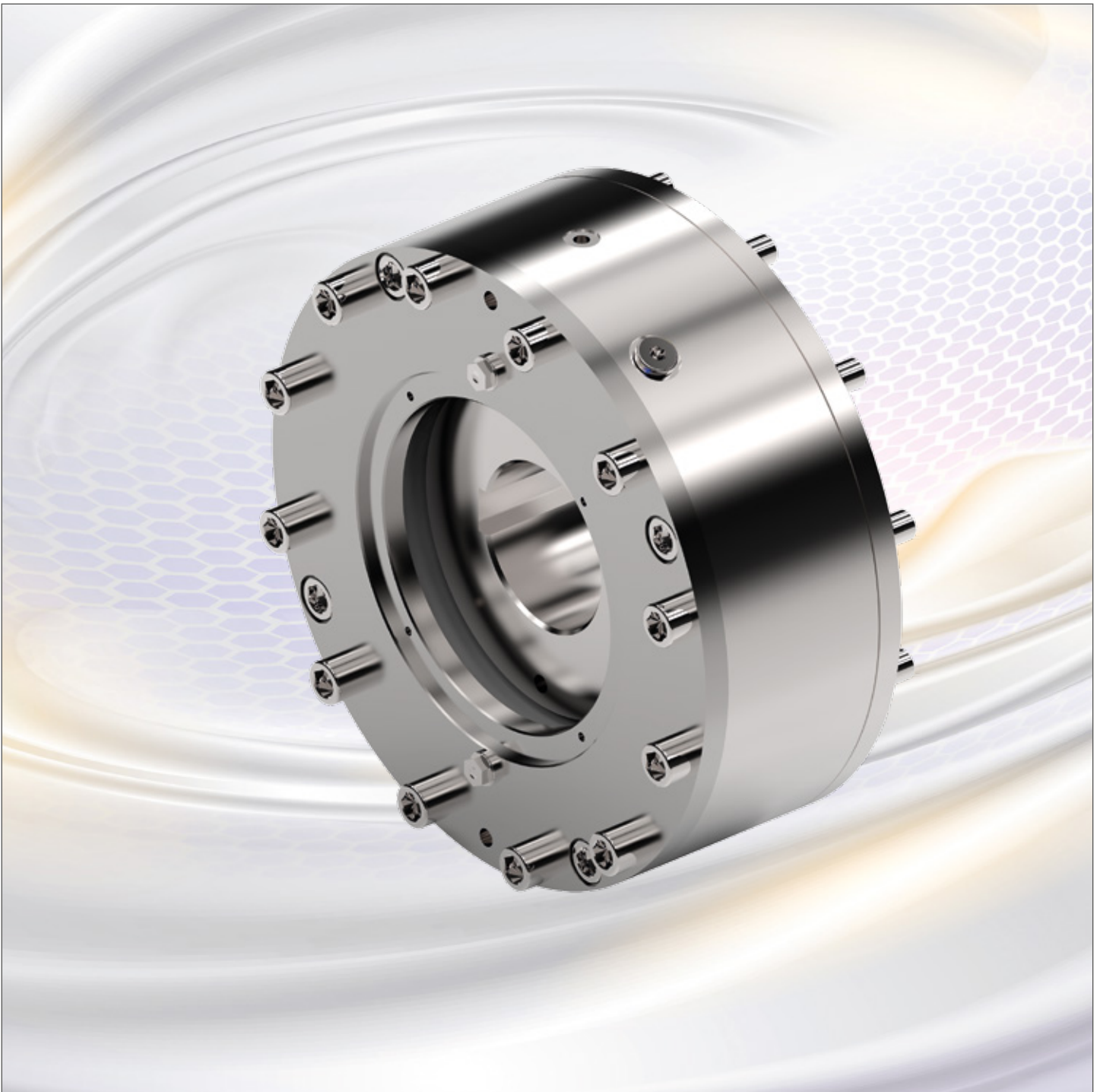


DESCH Servox® BRAKE



The DESCH Servox® - Brake



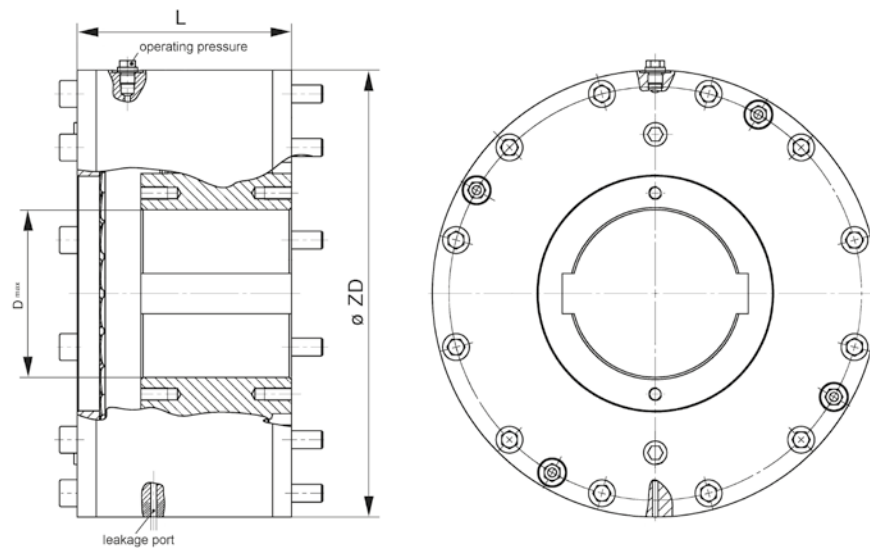
Description

- Static holding brake with emergency stop funktion
- Hydraulically released, spring applied
- Outer diameter same as competitive brakes, length different
- Friction material organic / steel liners, dry running
- Low inner mass moment of inertia
- Free of friction corrosion
- For all common hub-shaft-connections, e.g. feather key, spline, clamping device

Field of application

- Mechanical servo presses
- Generally in application as static holding brake, if applicable as dynamic safety brake

Technical Data



Servox® size		345	400	480
fit diameter ZD	mm	345 f7	400 f7	480 f7
bore D max.	mm	130	155	190
length L	mm	181	192	192
torque rate static	Nm	11 000	19 000	30 000
torque rate dynamic	Nm	9000	15 500	25 000
operating pressure max.	bar	320	320	320
release pressure min.	bar	50	50	50



瑞峯貿易股份有限公司 台北總公司
台灣台北縣三重市興德路 82 號 13 樓
Tel: +886.2.8511.0778
Fax: +886.2.8511.0876(7)

瑞峯貿易股份有限公司 台中分公司
台灣台中市西屯區大安西街 2 號
Tel: +886.4.2310.0488
Fax: +886.4.2310.2488

立峰(上海)商貿有限公司 上海分公司
上海市徐匯區宜山路 889 號 4 號樓
5 樓 D 單元 (齊來科技服務園區)
Tel: +8621.6485.1772
Tel: +8621.6121.3052 (53) (55)
Fax: +8621.6485.1702

www.GOSUIHONG.com